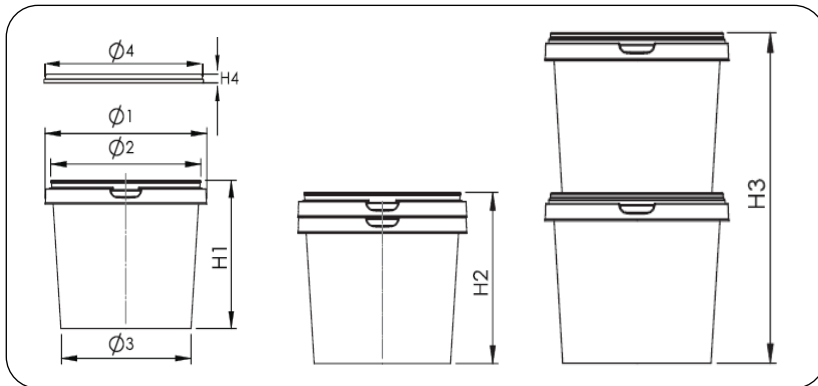


Technical Data Sheet

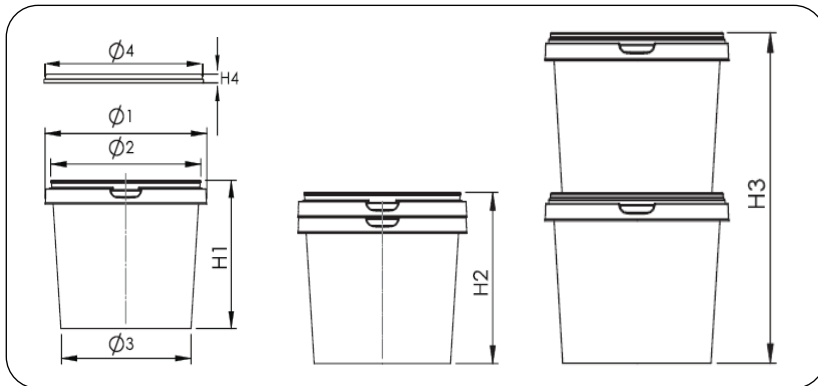


	18 L	Taj 180 [®]
Specifications	Bucket Taj 180	Lid Taj 180
Volume to Rim	19 L
Volume to Lid	18 L
Material	Co-polymer PP	Co-polymer PP
Weight	573 gr	154 gr
Outer Diameters	Ø1 320 mm	Ø4 301 mm
	Ø3 258 mm	
Inner Diameters	Ø2 295 mm	
Height	H1 324 mm	H4 23 mm
Stacking Height, 2 Filled buckets	H3 635 mm
Stacking Height, 2 Empty buckets	H2 357 mm	
Printing measurements, offset	850 x 250 mm
Printing measurements, IML	Upon Request	
Jumbo car load for local market	2,592	
Full Load 40" HQ Container (Sea)	13,608 (Without pallets)	
Full Load Truck (Land Shipping)	16,632 (Without pallets)	
Handle	Steel : 32 gr / Plastic : 24 gr	

TOLERANCES:

- Weight and Volume $\pm 5\%$. Measurements $\pm 1\text{mm}$.
- Technical data given for guidance only and is subject to change. Other Data on request.

Technical Data Sheet



18 L	Taj 180 S [®]	
Specifications	Bucket Taj 180	Lid Taj 180
Volume to Rim	19 L
Volume to Lid	18 L
Material	Co-polymer PP	Co-polymer PP
Weight	573.7 gr	141.7 gr
Outer Diameters	Ø1 320 mm	Ø4 301 mm
	Ø3 258 mm	
Inner Diameters	Ø2 295 mm	
Height	H1 324 mm	H4 23 mm
Stacking Height, 2 Filled buckets	H3 635 mm
Stacking Height, 2 Empty buckets	H2 357 mm	
Printing measurements, offset	850 x 250 mm
Printing measurements, IML	Upon Request	
Jumbo car load for local market	2,592	
Full Load 40" HQ Container (Sea)	13,608 (Without pallets)	
Full Load Truck (Land Shipping)	16,632 (Without pallets)	
Handle	Steel : 32 gr / Plastic : 24 gr	

TOLERANCES:

- Weight and Volume $\pm 5\%$. Measurements ± 1 mm.
- Technical data given for guidance only and is subject to change. Other Data on request.